

SPECIFICATIONS

1. Current rating: 3A AC, DC
2. Voltage rating: 250V AC,DC
3. Temperature range: -40°C ~ +105°C
4. Insulation resistance: 1000MΩ Min.
5. Withstanding voltage: 1000V AC/ minute.
6. Contact resistance: 20mΩ Max.

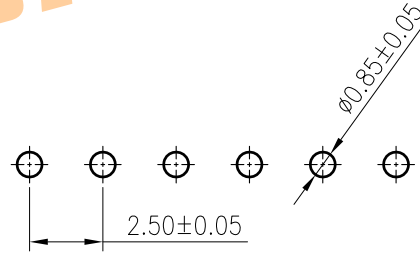
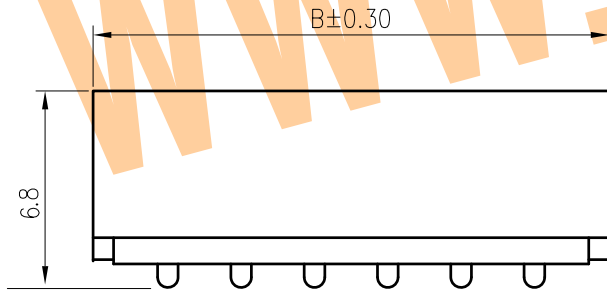
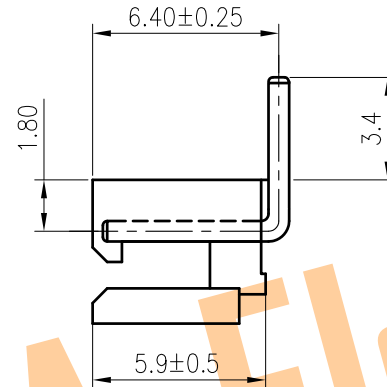
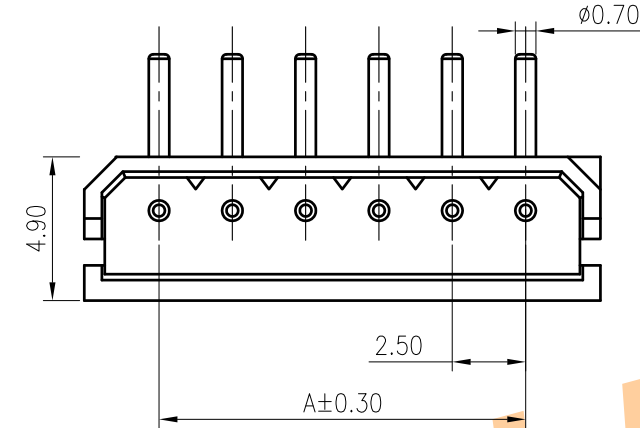
Material:

Insulator: PA66 UL94 V-0
 Contact: Brass
 Plating: Tin plated over Nickel
 Mate with KR2500 series Housing
 Ordering Code:

C2500RD *** 22 T01 01 PB

No. of Circuits
 102:2,116:16

Circuits	Dimensions	
	A	B
2	2.50	7.80
3	5.00	10.00
4	7.50	12.50
5	10.00	15.00
6	12.50	17.50
7	15.00	20.00
8	17.50	22.50
9	20.00	25.00
10	22.50	27.50
11	25.00	30.00
12	27.50	32.50
13	30.00	35.00
14	32.50	37.50
15	35.00	40.00
16	37.50	42.50



P.C. Board Layout



AsA Electronic Co.
 Tel : (+98) 21 66 73 56 82 Mob : (+98) 912 03 161 02

			TOLERANCE	TITLE: MX2.5 DIP 90° Wafer		DRAWN: Shen 2022.01.08			
			X.X ±0.30			CHECKED:			
			X.XX ±0.20			APPROVED:		PART NO.: C2500RD***22T0101PB	
			X.XXX ±0.10			SHEET: 1/1		REV.: A3	
			Angle ±2°	UNIT:mm		SCALE:N/A		DRAWING NO.: 2500WRD101-B-S	
MARK	REVISION	DESCRIPTION	SIGNATURE	DATE					
1	2		Shen	2022.01.08					



Uniformly arrange the drawings

Shen 2022.01.08



PROJECTION: [Symbol]